

## Smart Video Collaboration Bar for Small and Huddle Room

Yealink VC210 Teams Edition, an entry-level video collaboration bar, is designed for small and huddle meeting rooms, that gaining its nickname of MTR "mini". Based on Android 9.0, this compact all-in-one device guarantees a simple, smooth and secure operating experience of your video conference, either via the remote controller VCR20-MS or the connected touch LCD screen. VC210 features an ultra HD 4K camera that captures a wide 120° field-of-view and the Auto framing feature brings the best perspective for all participants. Fully compatible with Yealink USB Speaker CP900 that is coupled with 360° omnidirectional voice pickup and stereo sound, VC210 brings the excellent sound in small rooms and ensures that everyone can be heard as well as seen. Cooperating with Teams client, VC210 is capable of content sharing and whiteboard that making the meeting more communicative and collaborative. Simple and flexible deployment but powerful features together with reasonable price deliver excellent video collaboration performance.



Android 9.0  
OS



Ultra HD  
4K Camera



3x e-PTZ  
Camera



Wide-angle  
120° FoV



Auto Framing



Wi-Fi & Bluetooth



Touch & Remote  
Control



Proximity Join



## Key Features and Benefits

### Smart Video Collaboration

Based on Android OS and the video collaboration serviced by Microsoft Teams Room Cloud, VC210 owns a TV-styled interactive user interface that all features can be operated by just one touch or by the remote controller. Meanwhile, when VC210 works together with Teams Client, both content sharing and whiteboard are within your reach.

### See Everyone Clearly

The Ultra HD 4K camera supports 3x digital zoom and e-PTZ, and is with super-wide 120° field of view, covering every seat at the table wholly without adjusting the camera. Featuring Auto framing, VC210 ensures all meeting participants are always in view and optimally pictured on-screen without any PTZ control.

### Dedicated HD Audio

Fully compatible with Yealink CP900, VC210 perfectly delivers a premium audio experience of 360° omnidirectional voice pickup and stereo sound. More than that, combined with HD voice, six-microphone beamforming and full-duplex technology, VC210 creates a more concentrated video conferencing for sure.

### Compact Design for Fast Start

Seven-in-one design, integrating Android OS, codec, camera, microphones, Bluetooth, Wi-Fi and bracket, takes up less space and minimizing cable clutter. For your easy deployment, it is ready for a video conference by simply plugging in the PoE supply and HDMI cable. In addition, the Teams admin center portal ensures an easy management to you.

- All-in-one design
- Android 9.0 OS
- Touch or Remote control
- 4K resolution ratio, 3x e-PTZ camera, and 120° wide-angle lens
- Auto framing
- Dedicated HD Audio
- Built-in Bluetooth
- Built-in dual-band Wi-Fi
- Content sharing
- Whiteboard

### Ultra HD 4K Camera

- Ultra HD 4K camera
- 30 frame rate
- 3x e-PTZ camera
- Field of View: 120°

### Audio Features

- Tabletop Speakerphone CP900
  - 2 meters voice pickup radius
  - six-beamforming microphone array
  - Call control synchronization

### Audio Technology

- Acoustic echo cancellation
- Automatic gain control
- Yealink Noise Proof Technology

### Operating System

- Based on Android 9.0

### Meeting Features

- Calendar
- One-click join
- Proximity join
- PSTN dial-in
- Meeting collaboration
  - Content sharing
  - Whiteboard
- Meeting control:
  - Add participates
  - Hold/Resume
  - Camera On/Off
  - Mute/Unmute
  - Volume Up/Down
  - Hang up

### Video Standard and Network Suitability

- Video codecs: H.264 High profile, H.264, SVC-T
- Anti video packet loss
- Bandwidth dynamic adaptive adjustment

### Network and Security Features

- Built-in dual-band Wi-Fi (2.4GHz/5GHz)
- Built-in Bluetooth
- IPv4 and IPv6, DHCP/static IP
- HTTP/HTTPS web server
- SRTP/TLS, AES 256-bit encryption
- QoS: 802.1p/q, Diff-serv
- VLAN, LLDP
- IEEE802.1X
  - EAP-MD5/EAP-TLS
  - PEAP-MSCHAPv2
  - EAP-TTLS/EAP-MSCHAPv2
- Network diagnosis: Ping, Trace route
- Time and date synchronization using SNTP
- Built-in certificate

### Configuration Management


- Configuration via
  - Display
  - Browser
  - Auto-provisioning
  - Teams admin center Portal
- Virtual remote control
- Firmware upgrading
- Factory resetting
- Export or import configuration
- Export system log

### VC210 Connection

- 1 x HDMI output (CEC supported)
- 1 x 10/100M Ethernet port:
  - Power over Ethernet (IEEE 802.3af)
- 2 x USB 2.0
- 1 x Line-out (3.5mm)
- 1 x security lock slot
- 1 x reset slot

### Other Physical Features

- Color: Space Silver
- Capacity: 16GB (Available: 8GB)
- Yealink PoE Adapter: AC 100~240V input

- Power consumption (PSU):
  - Idle < 6.5W; Normal: 7W; MAX: 8W
- USB Output: 5V  500mA
- Dimension (W.D.H):
  - VC210: 300mm x 70mm x 86.6mm
  - VCR20-MS: 147.6mm x 42.3mm x 15.8mm
- Operating humidity: 10~95%
- Operating temperature: 0~40°C
- Storage temperature: -30~70°C

### VC210-Teams

- VC210 Collaboration bar
- VCR20 Remote controller
- Privacy shutter
- 1.8m HDMI cable
- 2m Network cable
- 3m Network cable
- Quick Start Guide
- Power adapter

### CP900 Room

- Tabletop Speakerphone CP900
- 5m USB EXT cable

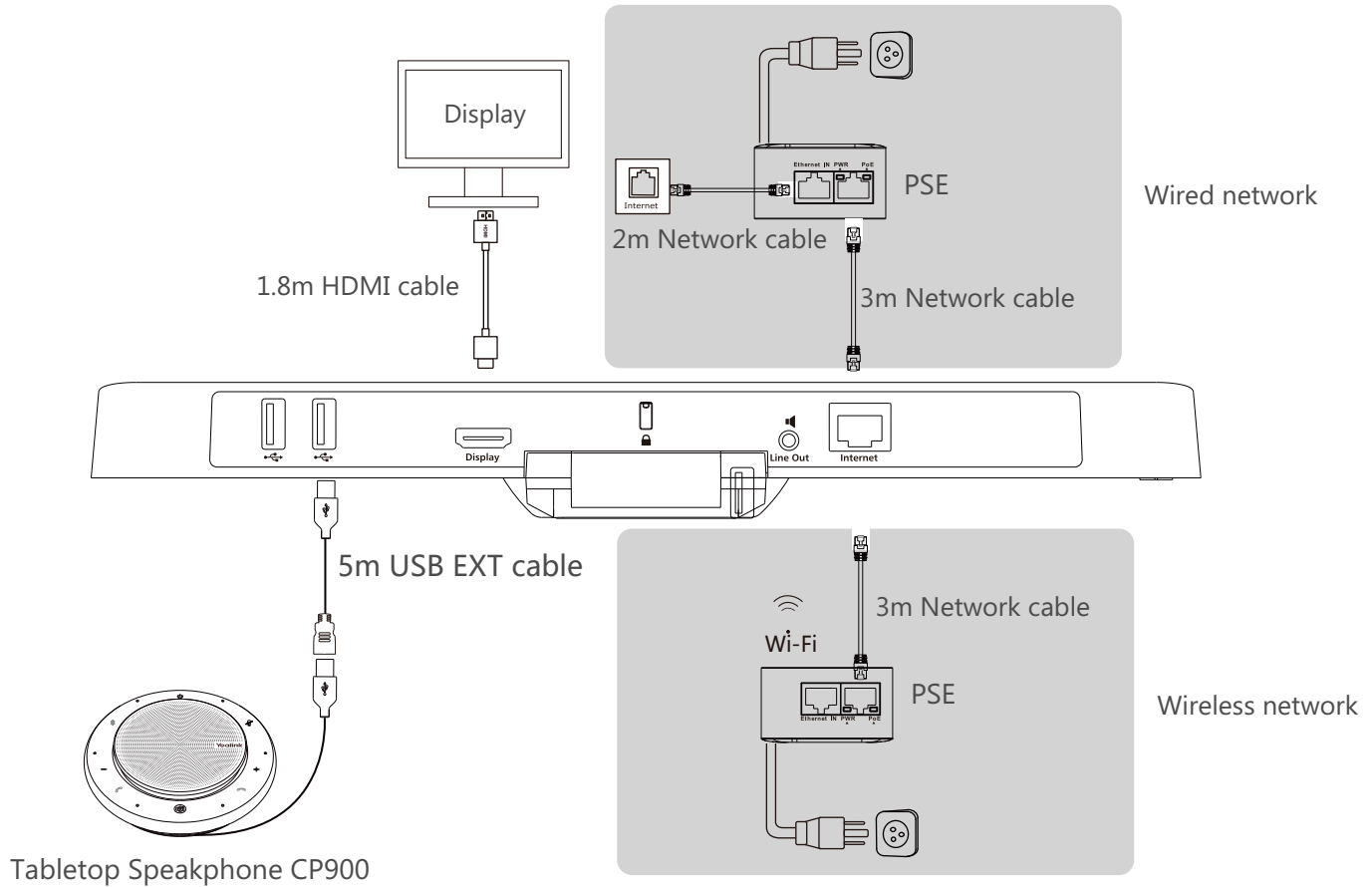
### VC210-CP900-Teams Package

- Package contents:
  - VC210-Teams
  - CP900 Room
- Qty/CTN: 4PCS
- N.W/CTN: 11.0kg
- G.W/CTN: 12.0kg
- Giftbox size: 377mm\*246mm\*190mm
- Carton Meas: 528mm\*397mm\*426mm

### Compliance



## Endpoint Connections



### Note:

- If you connect a touch display device, you can operate the VC210 either by remote control or touch control.
- If you connect a non-touch display device, you can only use the remote control.



## About Yealink

Yealink is a global leading provider of enterprise communication and collaboration solutions, offering video conferencing service to worldwide enterprises. Focusing on research and development, Yealink also insists on innovation and creation. With the outstanding technical patents of cloud computing, audio, video and image processing technology, Yealink has built up a panoramic collaboration solution of audio and video conferencing by merging its cloud services with a series of endpoints products. As one of the best providers in more than 140 countries and regions including the US, the UK and Australia, Yealink ranks No.1 in the global market share of SIP phone shipments.

## Copyright

Copyright © 2020 YEALINK(XIAMEN) NETWORK TECHNOLOGY CO., LTD.

Copyright © 2020 Yealink(Xiamen) Network Technology CO., LTD. All rights reserved. No parts of this publication may be reproduced or transmitted in any form or by any means, electronic or mechanical, photocopying, recording, or otherwise, for any purpose, without the express written permission of Yealink(Xiamen) Network Technology CO., LTD.

## Technical Support

Visit Yealink WIKI (<http://support.yealink.com/>) for firmware downloads, product documents, FAQ, and more. For better service, we sincerely recommend you to use Yealink Ticketing system (<https://ticket.yealink.com>) to submit all your technical issues.



YEALINK(XIAMEN) NETWORK TECHNOLOGY CO.,LTD.  
Web: [www.yealink.com](http://www.yealink.com)  
Addr: No.1 Ling-Xia North Road, High Tech Park,  
Huli District, Xiamen, Fujian, P.R. China  
Copyright©2020 Yealink Inc. All right reserved.